

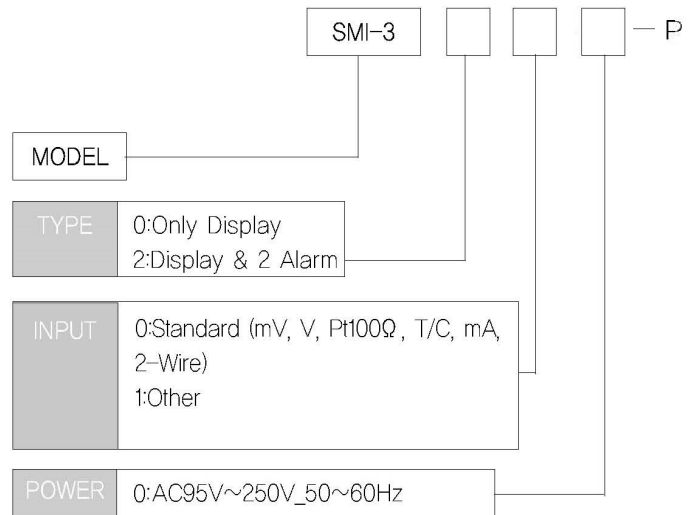
MULTI INPUT INDICATOR (COMPACT TYPE)

SMI-3000 SERIES



- Universal input mode(mV, V, mA, Pt100Ω, T/C, 2-Wire)
- It is realized high effectiveness and high accuracy use by 16bit A/D converter.
- It is contains peak hold function so possible to use various application.
- Front waterproof
- Relay alarm output selectable(optional)and dead band function contains.
- Contain burnout function

MODEL & SUFFIX CODE SELECTION



GENERAL SPECIFICATIONS

Power Supply	DC 24V Type AC 24V Type AC Type	DC18V ~ 30V, (ripple 10%)100mA AC12V ~ 26V(50~60Hz), 4VA AC95~250V_50~60Hz
Display Accuracy	-9999~9999, 7Segment 4 Digit ±0.2% Full Scale, ±1 Digit (25°C ±5°C)	
Input Impedance	V Type PT100 Ω, T/C Type	400KΩ 1MΩ
Sampling cycle	V Type Pt100 Ω, T/C Type	200ms 400ms
CMRR(Common Mode Rejection Ratio) NMRR(Normal Mode Rejection Ratio) Sensor Power Temp Coefficient Insulation Resistance	140dB or more 50dB or more DC 24V / 30mA (±0.5% or less) ±0.015% / °C Greater then 100M Ω with DC500V	
Dielectric Strength	Input - Power GND - Power	AC2500V AC1000V 1 minute
Operating Temperature / Humidity Storage Temperature / Humidity Dimensions Case Material Weight Mounting	-20~60°C / 90% (N.C) -20~80°C / 95% (N.C) W72 × H36 × D100(mm) ABS Resin (black) about 180g Panel Mounting Type	

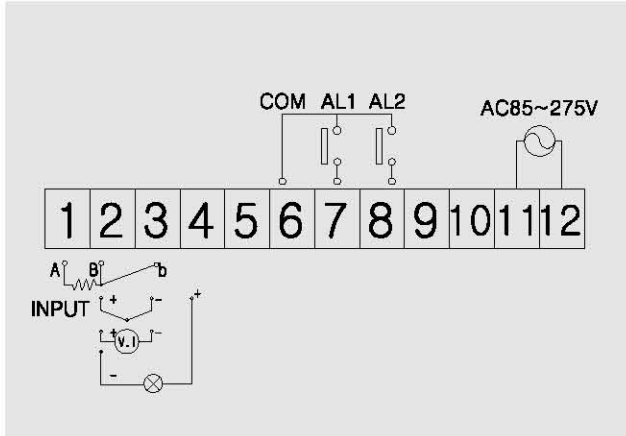
MULTI RANGE INPUT

Free input selection by code

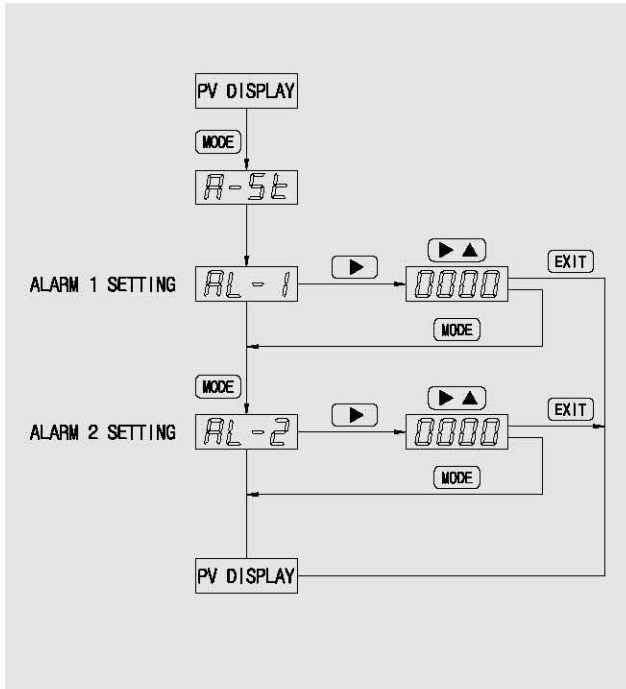
Input	Range of input and scale	MIN Span	Message
T/C	R (PR 13%)	0~1750°C	EC-r
	K (CA)	-200~1350°C	EC-p
	E (CRC)	-200.0~700.0°C	EC-E
	J (IC)	-200.0~800.0°C	EC-J
	T (CC)	-200.0~400.0°C	EC-t
RTD	Pt100Ω (DIN)	-200.0~800.0°C	Pt
	JPt100Ω	-200.0~500.0°C	JPt
mA	0~20.0mA(-9999~9999)		mR
mV	-50.0~50.0mV(-9999~9999)		mV
V	-10.00~10.00V(-9999~9999)		V
2-Wire	4~20.0mA(-9999~9999)		2W

Indicator SMI-3000 SERIES

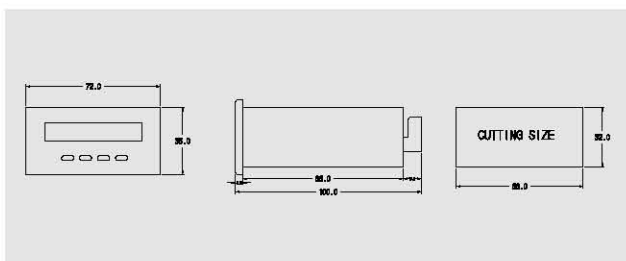
CONNECTION EXAMPLE



PROGRAM CHART



DIMENSIONS (Unit : mm)



PROGRAM CHART

